

DP-Tekno

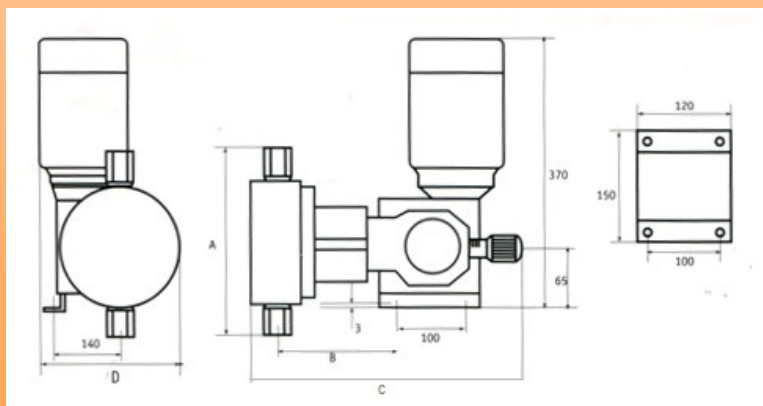


The electric pump DTK is a model of volumetric pump with direct diaphragm. The membrane is mechanically moved by a movement of reciprocation driven by an electric motor.

The electric pump DTK is specifically designed for applications in which, by choice or necessity, you can not use compressed air. Thanks to the availability of many gear ratios, the pump DTK can be supplied in different speeds to fit customer's needs. The direct diaphragm pump DTK, in addition to being particularly suitable for the transfer of corrosive liquids by virtue of the materials used for the head, the membrane and the valves, mainly provides the following undeniable advantages.

- Self-priming
- No seals pump
- Dry run without any problem
- Possibility to vehiculate dirty liquids too
- Direct diaphragm metering pump
- Manual adjustment from 0—100%

TYPE	Stroke	Diaphragm	Speeds	Capacity	Max pressure	Connections	Motor
	mm	mm	per 1'	max lt/h	bar	mm	kW
DTK-M 6.10/50	5	∅ 50	28	6	10	3/8" g.m.	0,18
DTK-M 12.10/50	5	∅ 50	45	12	10	3/8" g.m.	0,18
DTK-M 20.10/50	5	∅ 50	70	20	10	3/8" g.m.	0,18
DTK-M 25.8/70	5	∅ 70	45	25	8	3/8" g.m.	0,18
DTK-M 40.8/70	5	∅ 70	70	40	8	3/8" g.m.	0,18
DTK-M 50.6/100	7	∅ 100	45	50	6	1/2" g.f.	0,25
DTK-M 80.6/100	7	∅ 100	70	80	6	1/2" g.f.	0,25
DTK-M 110.6/100	7	∅ 100	95	110	6	1/2" g.f.	0,25
DTK-M 160.6/100	7	∅ 100	140	160	6	1/2" g.f.	0,25
DTK-M 250.6/155	7	∅ 155	70	250	6	3/4" g.f.	0,37
DTK-M 500.6/155	7	∅ 155	140	500	6	3/4" g.f.	0,37



PUMP TYPE	DIMENSIONS - mm			
	A	B	C	D
DTK 50	164	120	290	160
DTK 70	190	120	300	195
DTK 100	225	140	320	205
DTK 150	285	115	285	230

MATERIALS	
Pump head	PVC
Diaphragm	NBR/PTFE
Valves	PVC
Valve seals	PTFE
Housing	Alluminium

DP – Tekno

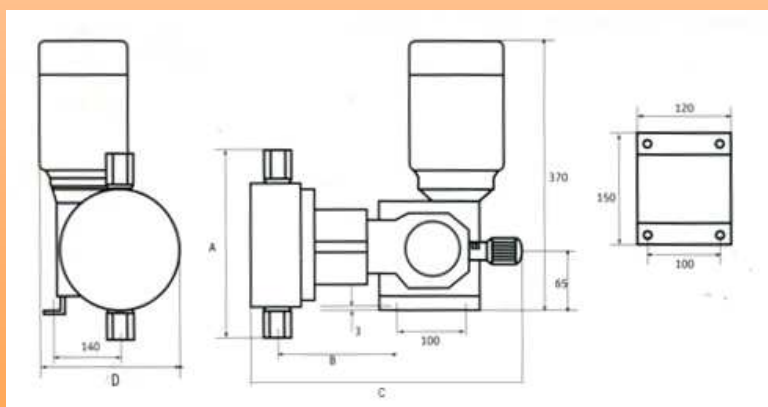


The electric pump DTK is a model of volumetric pump with piston system . The piston is mechanically moved by a movement of reciprocation driven by an electric motor.

Thanks to the availability of many gear ratios, the pump DTK can be supplied in different speeds to fit customer's needs. The piston pump DTK, in addition to being particularly suitable for the transfer of corrosive liquids by virtue of the materials used for the head, the plunger and the valves, mainly provides the following undeniable advantages.

- Self-priming
- Dry run without any problem
- Possibility to vehiculate dirty liquids too
- Manual adjustment from 0—100%
- Motor threephases and monophases
- Suitable for high pressure up to 30 Bar

TYPE	Stroke	Plunger	Speeds	Capacity	Max. Pressure Bar		Connections		Motor
	mm	mm	per 1'	max lt/h	01	03	01	03	Kw
DTK - P	10	10	70	3,2	30	10	3/8" g.m.	3/8" g.f.	0,25
DTK - P	10	10	140	6,4	30	10	3/8" g.m.	3/8" g.f.	0,25
DTK - P	10	20	70	13	30	10	3/8" g.m.	3/8" g.f.	0,25
DTK - P	10	20	140	26	30	10	3/8" g.m.	3/8" g.f.	0,25
DTK - P	10	25	70	20	30	10	3/8" g.m.	3/8" g.f.	0,25
DTK - P	10	25	140	40	30	10	3/8" g.m.	3/8" g.f.	0,25
DTK - P	10	38	70	47	13	10	1/2" g.m.	1/2" g.f.	0,25
DTK - P	10	38	140	94	13	10	1/2" g.m.	1/2" g.f.	0,25
DTK - P	10	48	70	76	8	8	1/2" g.m.	1/2" g.f.	0,25
DTK - P	10	48	140	152	8	8	1/2" g.m.	1/2" g.f.	0,25
DTK - P	10	54	70	96	6	6	3/4" g.f.	3/4" g.f.	0,25
DTK - P	10	54	140	192	6	6	3/4" g.f.	3/4" g.f.	0,25



MATERIALS	01	03
Pump head	SS 316	PVC
Plunger	SS 316	Ceramic
Valves	SS 316	PYREX
Valve seat	SS 316	PVC
Plunger seals	Viton	Viton

PLUNGER	MATERIALS	A	B	C	D
Ø 10	01	160	143	308	170
Ø 10	03	165	137	310	187
Ø 20	01	130	140	305	187
Ø 20	03	160	134	310	187
Ø 25	01	130	131	305	187
Ø 25	03	160	130	303	187

PLUNGER	MATERIALS	A	B	C	D
Ø 38	01	130	134	305	187
Ø 38	03	195	141	324	199
Ø 48	01	140	159	305	192
Ø 48	03	205	154	334	204
Ø 54	01	230	159	305	192
Ø 54	03	210	142	332	217